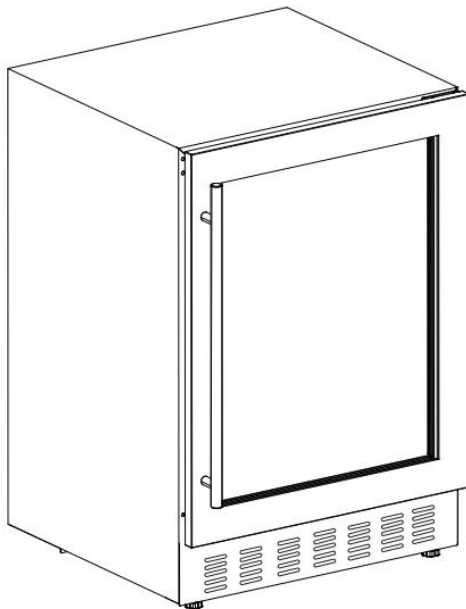


INSTRUCTION MANUAL

Cigar Cooler



MODEL: JC-145A, JC-265A, JC-375A, JC-425A

115V 60Hz

This manual contains important information including safety and installation instructions of the appliances. Please read it carefully before use and follow all safety information & instructions. It is recommended to keep this manual for easy reference so that you can be familiar with the operation of the appliance.

CONTENTS

SECURITY CONSIDERATIONS	3-4
COMPONENTS	4
INSTALLATION AND BEFORE USE	5-7
SET-UP AND USE OF cigar cooler	8-10
TECHNICAL DATA	10-11
TROUBLESHOOTING	12

Security considerations

Please read the following before using the cigar cooler

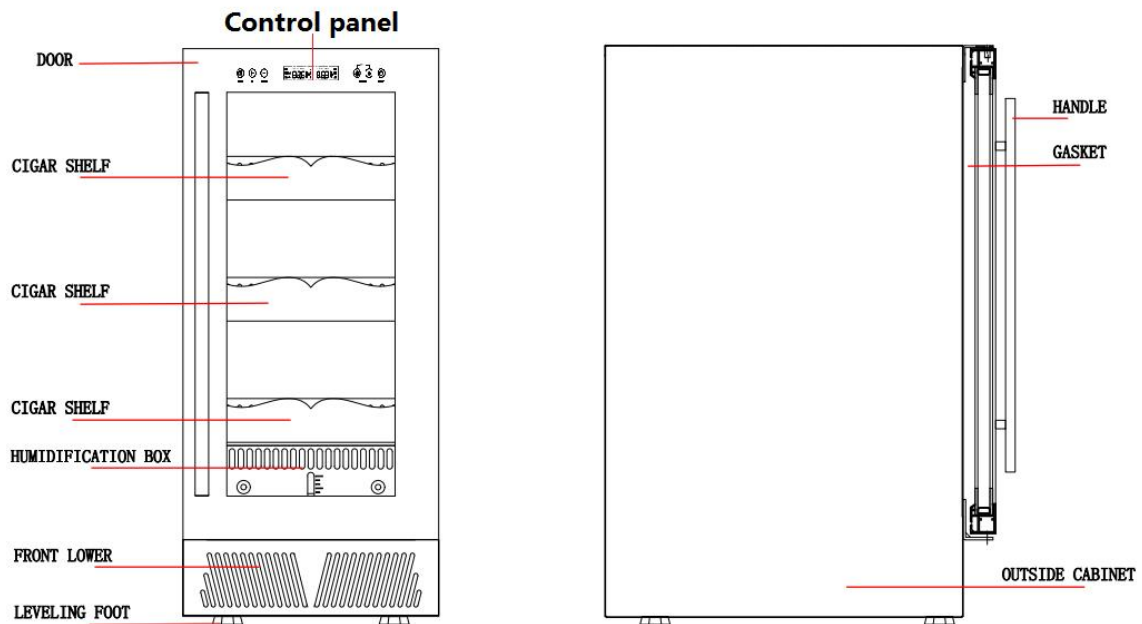
Please read the instructions carefully and operate carefully.

There is a potential danger in any electrical operation. For the sake of safety, please read the instructions carefully and operate carefully when operating this product.

- Do not use power sources other than 115V or access multiple appliances on the same wiring board.
The cigar cooler shall use a separate power outlet and the voltage shall match the nameplate.
Ensure separate and effective grounding of the cigar cooler.
 - This will ensure the best performance and prevent indoor circuit overload, which may cause the wire overheating and cause fire.
- Do not unplug by pulling the power cord. Please hold the plug tightly and unplug it directly from the power plug.
 - Power cord damage may cause short circuit, fire or electric shock.
- Make sure the power cord plug is not squeezed or damaged by the back of the cigar cooler.
- Do not fold the power cord in half or place heavy objects on the power cord.
 - There is a fire hazard.
- Do not use loose sockets or power cord with cracks or surface wear.
- If the power cord is damaged, please contact the manufacturer or other agent immediately for repair or replacement.
- Please be careful not to crush or damage the power cord when moving the cigar cooler. Do not touch the power plug with wet hands.
- Remove foreign matter and dust from power plug.
 - Otherwise there is a fire hazard.
- After the cigar cooler is out of power, wait at least ten minutes before reconnecting.
- If the wall socket is loose, please do not plug into the power plug.
 - Otherwise there will be fire or electric shock risk.
- This machine must be placed in a suitable place so that it is easy to connect or unplug the power plug after installation.
- Be sure to use a separate, reliable grounding power supply, do not share sockets with other electrical appliances, to ensure safe use, sockets and their connecting wires must be able to withstand more than 10A of current.
- The cigar cooler must be grounded.
 - To prevent leakage of electricity or electricity from the cigar cooler.
- Never use gas pipes, telephone lines or other hidden lightning rods for grounding.
 - Improper grounding may lead to electric shock.
- Do not disassemble or repair the cigar cooler by yourself.
 - This can lead to fire, machine failure or personal injury.
 - If the cigar cooler can not be used normally due to self-disassembly, cigar cooler will no longer bear the warranty policy and other losses caused by the inability of the cigar cooler to work.
- The product passes through the back plate for heat dissipation, in order to achieve the necessary heat dissipation effect please provide the necessary ventilation conditions.
 - Do not cover the product back with cloth or other material.
 - Do not put this machine on the bedside to avoid the sleep effect caused by the sound of the machine running.
 - Do not place this machine in restricted spaces such as: bookcases or embedded Coolers unless properly ventilated. Or contact the merchant to consult the solution before purchase.

- Be careful to keep the distance between the back and the wall more than 5CM when placing the product.
- Do not place this machine near an electric heater or radiator, or in direct sunlight.
- Do not place any heat-producing items such as candles, ashtrays, aromatherapy, combustible gas or explosive materials near the product.
- Do not place containers containing water on this machine, as this may lead to the risk of fire or electric shock.
- Do not expose this machine to rain or near water (e.g. near bathtub, sink, kitchen sink, or laundry pool, wet basement, or near swimming pool and balcony). If this machine is accidentally wet, unplug the power immediately and dry with a dry rag. When cleaning, please use more than 75% medical alcohol to wipe, do not use water-containing rag to wipe, so as not to cause wood structure mildew and bacteria breeding.
- All parts of this machine are not running with battery.
- Do not allow children to climb this product.
- The front of the machine is a whole tempered glass, do not use sharp products bump, so as not to cause glass door breakage.
- Do not place this product in unstable positions such as rocking shelves, tilted ground or positions affected by external vibrations.
- Do not cause the product to fall or be impacted. If the product is damaged, please disconnect the power supply and contact the service center.
- Unplug the power cord from the power outlet and wipe it with a soft dry cloth. Do not use any chemicals such as wax, benzene, alcohol, diluent, insecticide, air cleaner, lubricant or cleaner to wipe the power after cleaning. This may cause short circuit of power contact and fire.

COMPONENTS



Installation and Before Use

UNPACKING AND INSTALL THE DOOR HANDLE

Remove the exterior and interior packing materials.

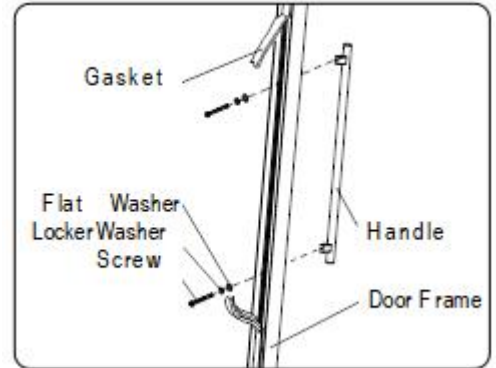
Install the door handle provided with the appliance by following these steps:

Step 1 - Remove the gasket at the inner side of the door

to expose the two screw holes.

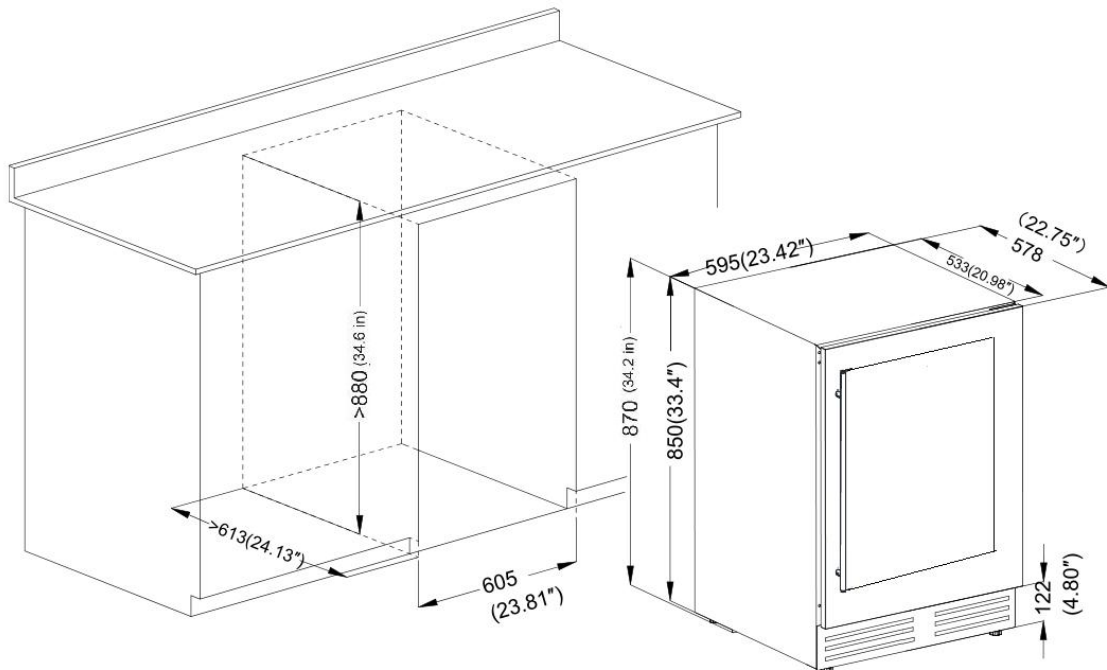
Step 2 - Install the handle tightly with the screws and washers provided.

Step 3 - Tidy and restore the gasket.

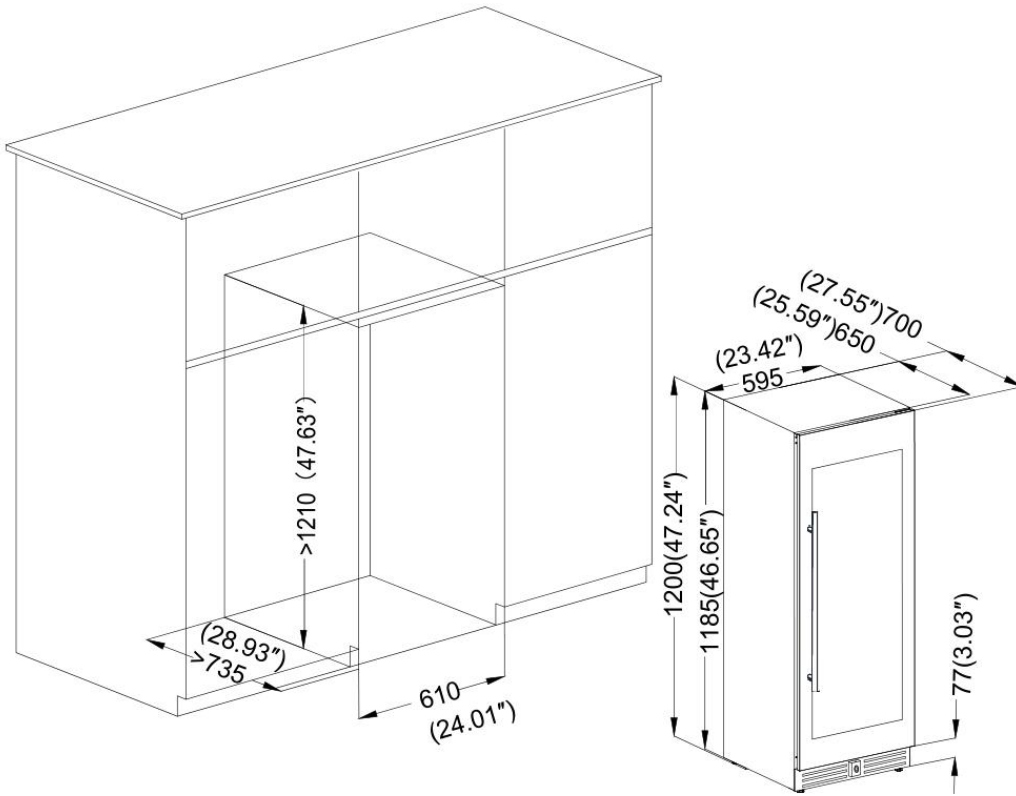


➤ INSTALLATION INSTRUCTIONS

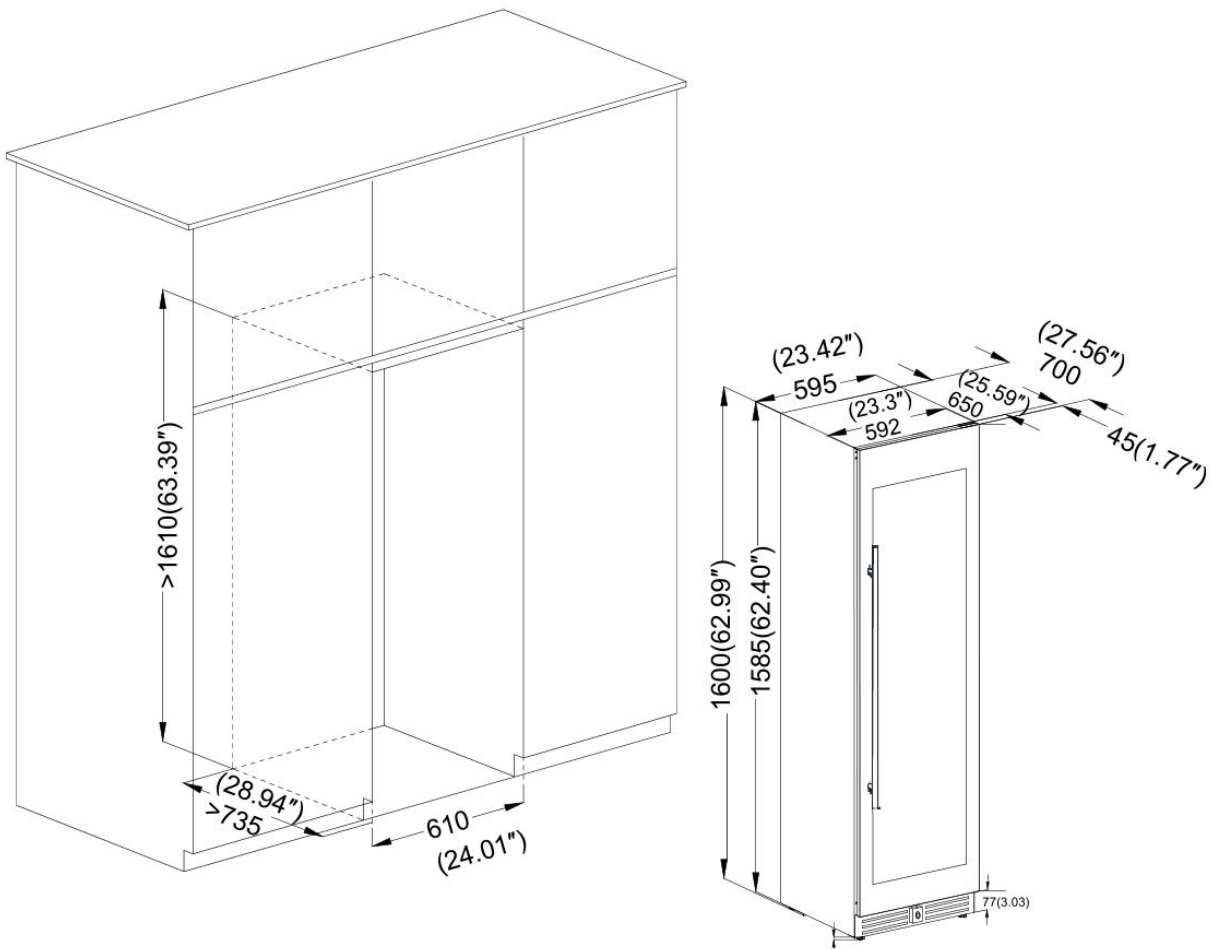
JC-145A



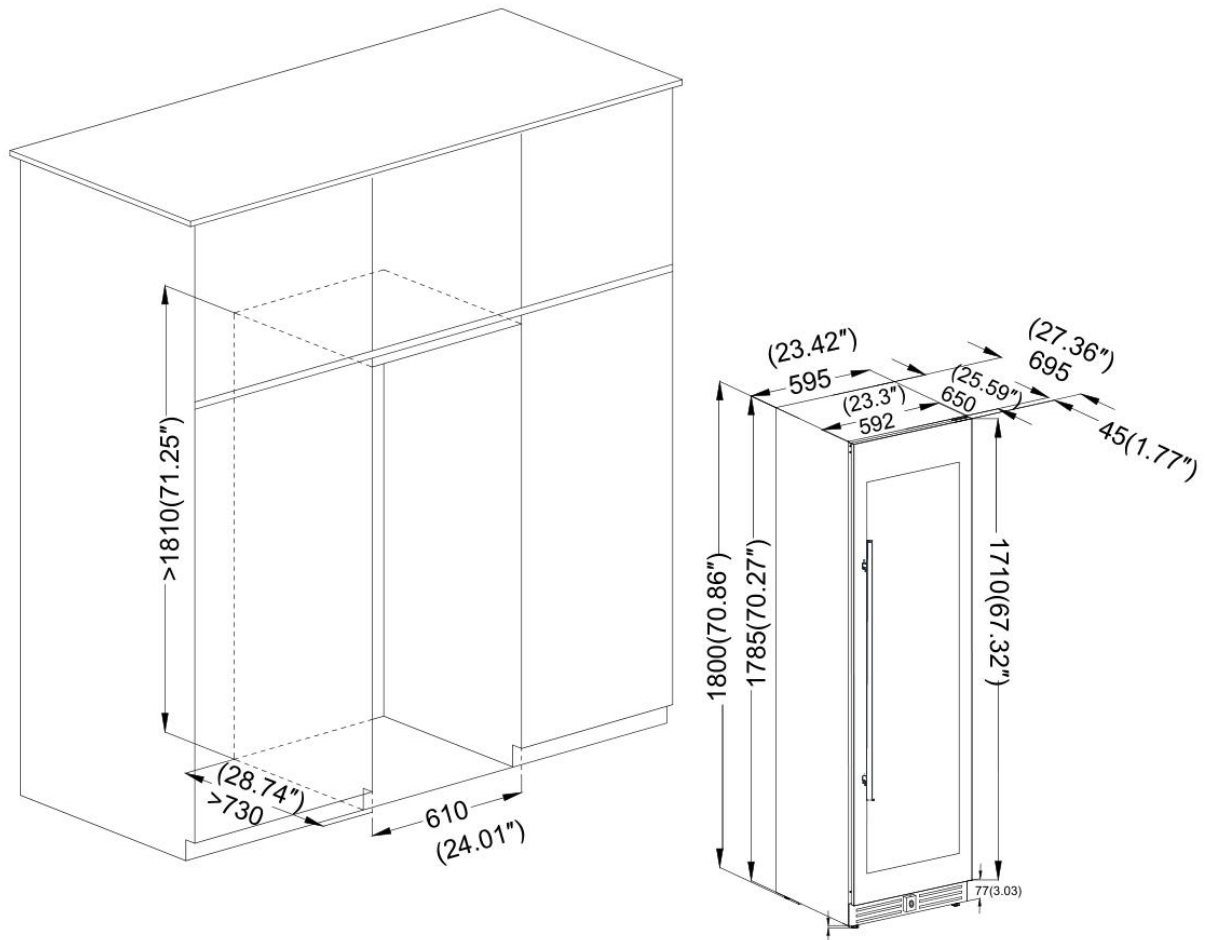
JC-265A



JC-375A



JC-425A



➤ **Before Using Your Cigar Cooler**

- Remove the exterior and interior packing.
- Before connecting the cigar cooler to the power source, let it stand upright for approximately 24 hours. This will reduce the possibility of a malfunction in the cooling system from handling during transportation.
- Use a soft cloth to clean the interior surface with lukewarm water.
- This appliance is intended to be used in household and similar applications such as
 - – staff kitchen areas in shops, offices and other working environments;
 - – farm houses and by clients in hotels, motels and other residential type environments;
 - – bed and breakfast type environments;
 - – catering and similar non-retail applications.
- When disposing your appliance, please choose an authorized disposal site.

➤ Installation of Your Cigar Cooler

- This appliance is designed to be for free standing installation or built-in (fully recessed) (Refer to sticker location the back of this appliance).
- This appliance is intended to be used exclusively for the storage of cigar.
- Place your cigar cooler on a flat floor that is strong enough to support it when it is fully loaded. To level your cigar cooler, adjust the front leveling leg at the bottom of the appliance.
- This appliance is using flammability refrigerant. So never damage the cooling pipework during the transportation. Locate the cigar cooler away from direct sunlight and sources of heat (stove, heater, radiator, etc.). Direct sunlight may affect the acrylic coating and heat sources may increase electrical consumption. Extreme cold ambient temperatures may also cause the unit not to perform properly.
- Avoid locating the unit in moist areas.
- Plug the cigar cooler into an exclusive, properly installed-grounded wall outlet. Do not cut or remove the third (ground) prong from the power cord under any circumstances. Any questions concerning power and/or grounding should be directed toward a certified electrician or an authorized Products service center.

➤ Attention





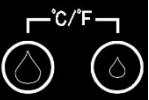

- Store Cigar in sealed boxes;
- Do not overload the Cooler;
- Do not open the door unless necessary;
- Do not cover shelves with aluminum foil or any other shelf material which may prevent air circulation;
- Should the cigar cooler be stored without use for long periods, it is suggested to leave the door ajar to allow air to circulate inside the Cooler after a careful cleaning, avoiding possible formations of condensation, mold or odors.
- The product needs to run 24 hours after the power operation before putting into the cigar. Cedar wood shelf in cigar cooler needs to absorb enough moisture and the inner duct board needs to be wet enough to achieve the desired operating effect.

Set-up and Use of cigar cooler






➤ CONTROL PANEL



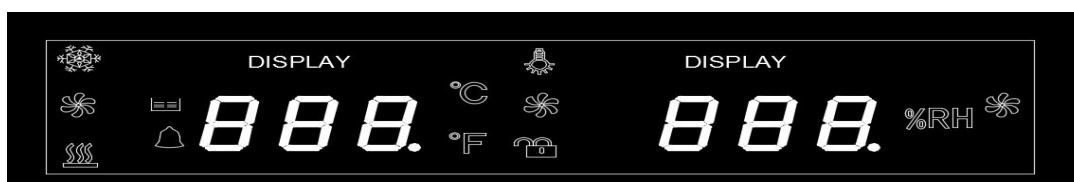
Press the button for 3 seconds to open/close the lock function.









 Temp. Up button	Press to add temperature when setting.
 Temp. Down button	Press to reduce temperature when setting.
 Humidity Up button	Press to add humidity when setting.
 Humidity Down button	Press to reduce humidity when setting.
 Combination key	Press the combination key at the same time for 3 seconds, you can interchange the Fahrenheit (°F) and Celsius (°C).
 Lamp/switch power key	Press to turn on/off the light; long press for 3 seconds to turn on/off the power

After the temperature or humidity of the cigar cooler is set up, the system flashes for 5 seconds and automatically confirms, without the need of keystroke confirmation.



- cigar cooler cigar maintenance temperature and humidity setting.
 - Recommended temperature setting range :18-22°C(64-72°F).
 - Recommended humidity setting range: 60-80%.
- Set temperature and humidity.
 - Long press the  to turn on the unit. Then begin to set the temperature by pressing  or  to add or reduce the temperature; press the  or  to add or reduce humidity.
- Water tank.
 - Note: please add water into water tank before use. Water shortage may cause the humidity can not reach the set value.
 - It is suggested to add purified or distilled water only with 1/2 of the water tank capacity. Do not use directly the tap water to avoid impurities.
 - Please keep the white mesh inside the water tank when adding water. If the white mesh become yellow or black due the impurities, take it out and use white vinegar, baking soda and water to soak it together.
 - It is recommended to clean the water tank every month and replace the water in the water tank.
- Interior lighting
 - Press the lamp key to turn on (or turn off) the interior cool LED lighting.
- Lock
 - Press the button for 3 seconds to lock. When the control panel is locked, other key icons are not available except the light icon. Press the button for 3 seconds to unlock.




➤ **LCD PANEL**



Symbol	Description
	The light is on
	Cooling/dehumidified
	Fan is on
	Heating for temperature and humidification compensation
	Defrosting
	Lock/unlock
	Current Temperature
	Current Humidity

If the unit displays other icons. Do not self-install to avoid personal injury. The temperature and humidity are interrelated, it is normal that the cooling and heating icons will light on at the same time when the cigar cooler is working.

- Refrigeration.
 - While the Cooler works, the  is lit.
 - The cigar cooler is designed for use with R600a as the designated ,no need to add freon during use.
 - There will be no frosting on the back at the air cooling mode.
- Heating
 - The cigar cooler has heating compensation function, and the maximum temperature compensation is 10-15 degrees. If the ambient temperature is too low, the cigar cooler can not reach the set temperature, please move the product to a higher temperature environment for use.
 - The cigar cooler use PTC heater for heating, through the entire rear duct plate for hot air heating. So there will be no damage to the cigar.
 - While the Cooler begins to heat, the  is lit.

- Humidification
 - The cigar cooler converts the water in the bottom water tank into humidity by humidifying fan for the inner Cooler. Therefore, it is recommended to use pure water or distilled water to avoid impurities contaminating cigars.
 - While the Cooler Humidifies, the  is lit.
- Dehumidification .
 - The humidity will be converts to condensing water during refrigeration and flow into the water tank.
 - While the Cooler dehumidifies, the  is lit.
- Defrosting
 - the Cooler has the auto defrosting function. While it defrost, the  will be on.

TROUBLESHOOTING

Troubleshooting Notes	
Failure	Possible causes
The cigar cooler does not operate	No plugged in. The appliance is turned off. The circuit breaker tripped or a blown fuse.
The cigar cooler is not cold enough	Check temperature control settings. The external environment may require higher settings. The door is open frequently. The door is not completely closed. The door gasket does not seal properly.
Turns on and off frequently	Room temperature is higher than normal. Overload of Cooler. The door is open frequently. The door is not completely closed. The temperature control is not set correctly. The door gasket does not seal properly.
The light does not work	The circuit breaker tripped or a blown fuse. The bulb has burned out. The light button is "OFF"
Vibration	Check to sure that the appliance is in level surface.
Too much noise	The rattling noise may come from the flow of the refrigerant, which is normal. As each cycle ends, you may hear gurgling. Contraction and expansion of the inside walls may cause popping and crackling noises. The appliance is not in level.
The door will not close properly	The appliance is not in level. The door was reversed and not properly installed. The gasket is dirty. The shelves are out of position.

Before disposal of the appliance:

1. Disconnect the main plug from the main socket.
2. Cut off the main cable and discard it.



This marking indicates that this product should not be disposed with other household wastes throughout the EU. To prevent possible harm to the environment or human health from uncontrolled waste disposal, recycle it responsibly to promote the sustainable reuse of material resources. To return your used device, please use the return and collection systems or contact the retailer where the product was purchased. They can take this product for environmental safe recycling.