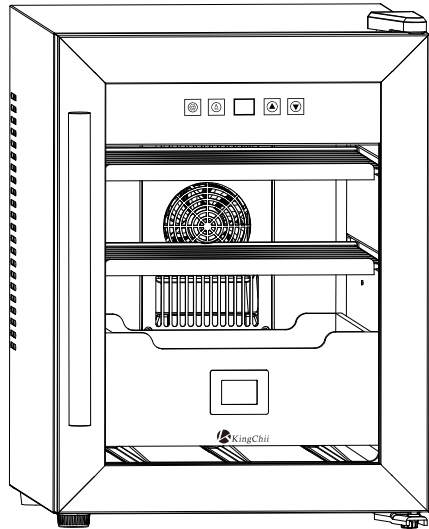
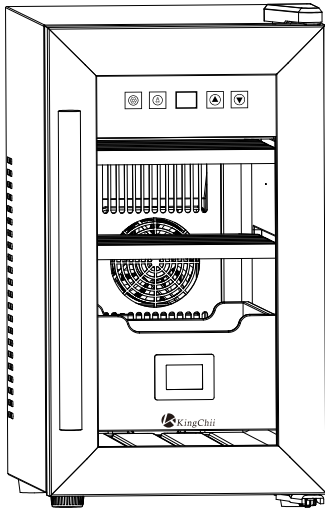




INSTRUCTION MANUAL

Thermoelectric Cooler



Thanks for buying our Cigar Humidor. We hope that our advanced product gives your cigar a rich and joyful taste. Before use, please read and follow all safety rules and operating instructions.

IMPORTANT SAFETY INSTRUCTIONS



To reduce the risk of fire, electrical shock, or injury when using your appliance, follow these basic precautions:

•Before using the appliance, please read this user manual to ensure that you gain the maximum benefit from it.

WARNING:

- 1) This appliance is not intended for use by persons (including children) with reduced physical, sensory or mental capabilities, or lack of experience and knowledge, unless they have been given supervision or instruction concerning use of the appliance by a person responsible for their safety.
- 2) Children should be supervised to ensure that they do not play with the appliance.
- 3) This appliance can be used by children aged from 8 years and above and persons with reduced physical, sensory or mental capabilities or lack of experience and knowledge if they have been given supervision or instruction concerning use of the appliance in a safe way and understand the hazards involved. Children shall not play with the appliance. Cleaning and user maintenance shall not be made by children without supervision.
- 4) If the supply cord is damaged, it must be replaced by the manufacturer, its service agent or similarly qualified persons in order to avoid a hazard.
- 5) To avoid a hazard due to instability of the appliance, it must be fixed in accordance with the instructions.
- 6) When positioning the appliance, ensure the supply cord is not trapped or damaged.
- 7) Do not locate multiple portable socket-outlets or portable power supplies at the rear of the appliance.
- 8) Keep ventilation openings, in the appliance enclosure or in the built-in structure, clear of obstruction.
- 9) Do not use mechanical devices or other means to accelerate the defrosting process, other than those recommended by the manufacturer.
- 10) Do not damage the refrigerant circuit.
- 11) Do not use electrical appliances inside the drink storage compartments of the appliance, unless they are of the type recommended by the manufacturer.
- 12) Do not store explosive substances such as aerosol cans with a flammable propellant in this appliance.
- 13) This appliance is intended to be used in household and similar applications such as
 - staff kitchen areas in shops, offices and other working environments;
 - farm houses and by clients in hotels, motels and other residential type environments;
 - bed and breakfast type environments;
 - catering and similar non-retail applications.
- 14) Children aged from 3 to 8 years are allowed to load and unload refrigerating appliances.
- 15) To avoid contamination of drink, please respect the following instructions:
 - Opening the door for long periods can cause a significant increase of the temperature in the compartments of the appliance.
 - Clean regularly surfaces that can come in contact with drink and accessible drainage systems.
 - Clean water tanks if they have not been used for 48 h; flush the water system connected to a water supply if water has not been drawn for 5 days.
 - If the refrigerating appliance is left empty for long periods, switch off, defrost, clean, dry, and leave the door open to prevent mould developing within the appliance.
- 16) NOT suitable for camping use
 - the appliance shall not be exposed to rain

-WARNING: Risk of child entrapment. Before you throw away your old refrigerator or freezer:

-Take off the doors.

-Leave the shelves in place so that children may not easily climb inside.

-WARNING: Keep ventilation openings, in the appliance enclosure or in the built-in structure, clear of obstruction.

-WARNING: Do not use mechanical devices or other means to accelerate the defrosting process, other than those recommended by the manufacturer.

-WARNING: Do not damage the refrigerant circuit.

-WARNING: Do not use electrical appliances inside the food storage compartments of the appliance, unless they are of the type recommended by the manufacturer.

• Note: This appliance contains flammable foaming agent cyclopentane.

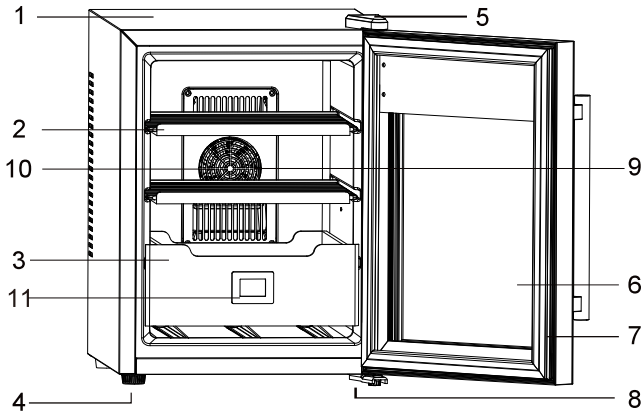
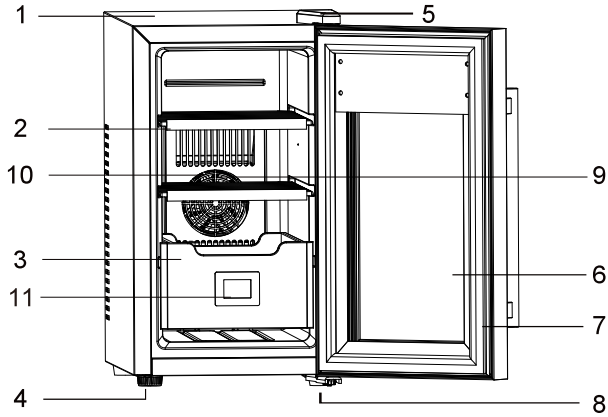
Please avoid contact fire when you transport and use it.

Please ask professional for servicing when the machine broke down.

Please send it to your local appointed disposal station when you discard it.

-Save these instructions-

PARTS DIAGRAM



- 1. Cabinet
- 2. Cigar Basket
- 3. Hinge Cover
- 4. Gasket
- 5. Fan
- 6. Hygrometer

- 7. Shelf
- 8. Leveling Legs
- 9. Glass Door
- 10. Bottom Hinge
- 11. Fan Cover

TEMPERATURE CONTROL

It is recommended that you install the Cigar Humidor in a place where the ambient temperature is between 25°C(77°F). If the ambient temperature is above or below recommended ranges, the performance of the unit may be affected, and extreme cold or hot conditions may cause the interior temperature to fluctuate. This will prevent the optimal range from being reached. In addition, keep in mind that the temperature may fluctuate depending on whether the interior light is on or off.

Temperature and Humidity Ranges For Your Cigar Humidor


Temperature and Humidity Ranges	16-22°C	61-72°F	65%-75%
---------------------------------	---------	---------	---------



CONTROL PANEL




SETTING THE TEMPERATURE CONTROL

Your Cigar Humidor has been equipped with a control panel lock which will lock itself automatically 20 seconds after the last time a button is pressed


Press and hold the  button for about 3 seconds to unlock the control panel. You will hear a "BEEP" sound to alert you that the control is now active

Press the  (up) button to increase or the  (down) button to set the temperature.

Press and hold the  button for about 2 seconds to switch the temperature display unit between Fahrenheit and Celsius

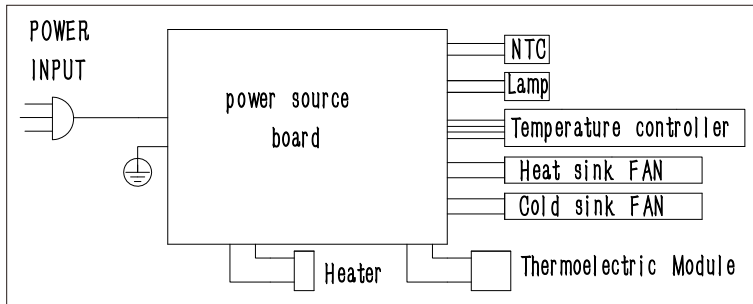
Interior Light

You can turn the interior light ON or OFF by a lightly press on the button .

The light will turned off automatically if it remains ON for 10 minutes. You have to push the button  again then the light will turn back on.

Dual-Function: provides with both heating and cooling functions, maintaining a stable temperature and humidity level between 16-22°C/61-72°F and 65-75%, respectively. This feature ensures your collection stays in optimal conditions in any weather.

ELECTRIC DIAGRAM



INSTRUCTION

- Position your cigar humidor so that the plug is accessible.
 - Keep your cigar humidor out of direct sunlight
 - Do not place next to heat generating appliance.
 - Place the cigar humidor on a leveled surface that is strong enough to support the unit when it is fully loaded.
To your cigar humidor, adjust the front feet located at the bottom of the unit
-
- Position the machine in a dry and airy place with ambient temperature around 25°C (77°F).
 - Before connecting the unit to a power source, allow it stand upright for approximately 2 hours. This will reduce the possibility of any system malfunctions which may have occurred from handling during transportation.
 - When positioning the cigar humidor, 6 inches of space at the back and 10 inches of space both sides are suggested. Do not put any objects on top of the unit which may block the air circulation

POWER CONNECTION

- This cigar humidor should be properly grounded for your safety and in order to minimize the possibility of electrical shock the power cord of this unit is equipped with a 2-pin plug / 3-pin plug which fits with 2-pin/3-pin wall outlets.
- Never cut or remove the ground wire from the supplied power cord.
- The use of extension cords is not recommended.
- This unit requires a standard 110V/ 220V 50/60Hz electrical outlet with a 2-pin/3-pin plug.
- The cord should be secured behind the cigar humidor. Also, to prevent accidental injury, do not expose or dangle the cord

VENTILATION

- Do not install the cigar humidor in a closed cabinet without proper ventilation.
- Please leave at least 6 inches distance between the wall and the cigar humidor.
- Do not remove the feet of the cigar humidor. Keep at least 2 inches of ground clearance.

CLEANING

- UNPLUG the cigar humidor, and remove all items including shelves.
- Wash the inside surfaces with a warm water and baking soda solution. The solution should be about 2 tablespoons of baking soda to a quart of water.
- Wash the shelves and water box with a mild detergent solution.
- Wring excess water out of the sponge or cloth when cleaning area of the controls, or any electrical parts.
- Wash the outside cabinet with warm water and mild liquid detergent. Rinse well and wipe dry with a clean soft cloth.

TROUBLE SHOOTING

PROBLEM	POSSIBLE CAUSES
The cigar humidor will not operate.	<ul style="list-style-type: none"> • The unit may be plugged in using a different voltage. also the circuit breaker may be tripped or there is a blown fuse.
The cigar humidor is not cold enough.	<ul style="list-style-type: none"> • Check the temperature control settings, as the external environment may be too hot. • The door may be opened too frequently. • The door is not closed completely. • The door seal does not seal properly. • The cigar humidor does not have sufficient clearance.
The cigar humidor vibrates while operating.	<ul style="list-style-type: none"> • Make sure the unit is leveled.
The cigar humidor produces a lot of noise.	<ul style="list-style-type: none"> • The unit may not be leveled. • Check the fan.
The cigar humidor will not close properly.	<ul style="list-style-type: none"> • The unit may not be leveled. • The seal is weak.
The LED display does not work.	<ul style="list-style-type: none"> • There may be a problem with the main control board. • There is a problem with the plug.
There is an LED display error.	<ul style="list-style-type: none"> • There is a PCB problem.
The buttons do not function	<ul style="list-style-type: none"> • The temperature control panel may be damaged
Frost or ice developed inside the cigar humidor.	<ul style="list-style-type: none"> • Ambient temperature too low. • The cigar humidor needed to be restarted.
Alower humidity than 65%	<ul style="list-style-type: none"> • Please check the water box if the water is not enough and add some more water into box. The max level of water box is 10.7oz (0.08 gal).